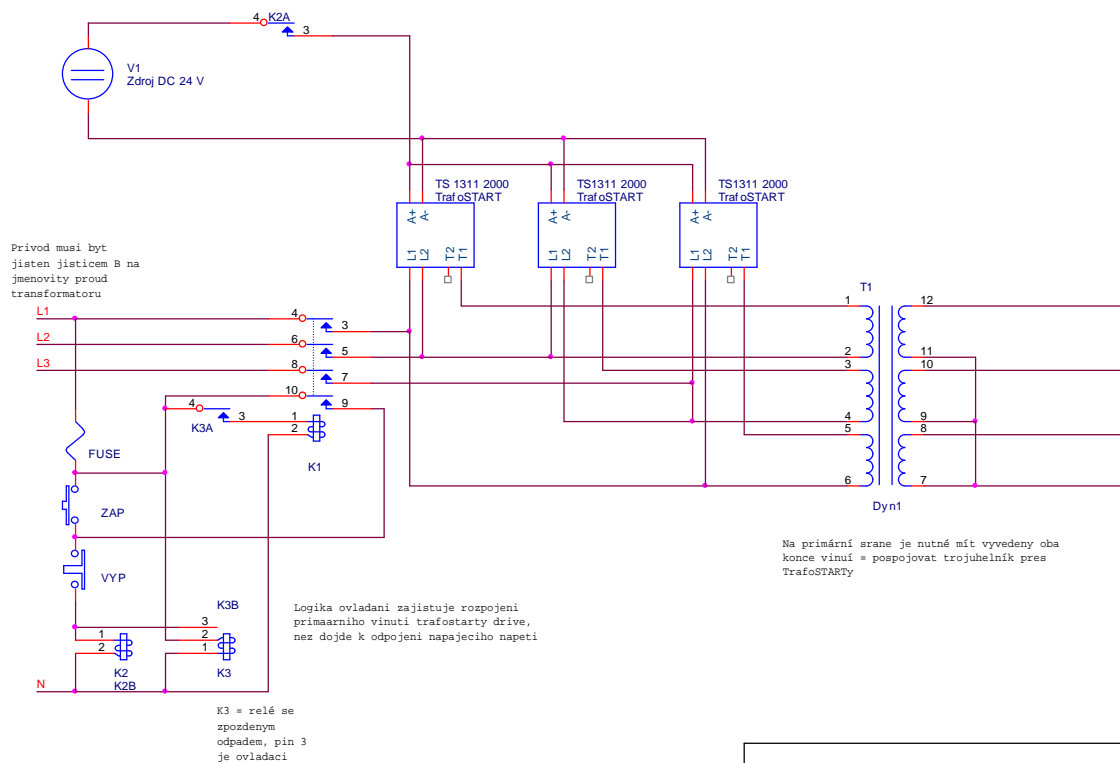


# TranfoSTART connection for 3ph transformers

The schematic was designed for transformers with **delta primary winding**. The connection of the transformer secondary is not important. TrafoSTARTs are connected serially with separate windings. Therefore, it is important to take out both ends of each primary winding – bonding on the transformer terminal box.

Power circuit is composed from an over-current protection (not in figure), the main 3ph contactor K1, three TrafoSTARTs and a transformer. TrafoSTART terminal T2 it is not necessary to connect – it is internally interconnected to the terminal L2. The wires with cross-section 1,5 mm<sup>2</sup> only should be used for L2 (there does not flow main current).

The control circuit ensure proper switch-on and switch-off sequence. The TrafoSTARTs works during switch-on by their self. The switching-off delta windings should be also controlled by TrafoSTARTs otherwise the protection trip can occur. The proper timing is given by the relay with delayed switch-off K3. The delay is set to 0,1 s. At first the control signal for TrafoSTARTs is disconnected K2A (terminals A+ a A-). Following by disconnection of the transformer delta by TrafoSTARTs. And finally is disconnected main contactor K3A.



Title		
Miroslav Novák		
Size	Document Number	Rev
A	Zapojení TrafoSTARTů k 3f trf Dyn1	1.0
Date:	Tuesday, December 06, 2011	Sheet 1 of 1